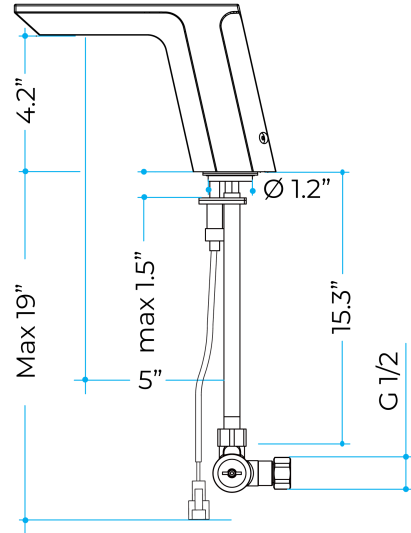


FONTANA PERU COMMERCIAL MOTION SENSOR ACTIVATED AUTOMATIC FAUCET BRASS VALVE GOLD FINISH SPECS



SPECS:

Power: DC:6V(4AA alkaline battery)

AC:220V-240V; 50/60HZ

Supply Water Pressure: 0.05~0.86MPa

Detection Zone: 20-30 cm or adjustable

Battery lifespan: 100000 cycles

Static Power Consumption: 0.36mw

Working Power consumption: 0.5mw

Inductive Opening Time: < 1 second

Inductive Closing Time: < 2 second

Dia.of inlet / outlet pipe: G1/2"

Flow Rate: No more than 0.15L/s at
0.1MPa.

Temperature: 0.5~71 C

Supply Water Temperature: 0.5~71C

